

# CVC 230



## FROZEN RUN



Self-contained ice maker - Vertical evaporator system  
Daily production up to 120 kg

### • Position n°



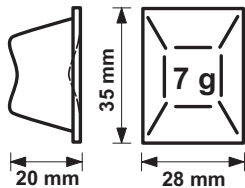
### • Application fields

Hotel	●●●●●●●●●●	Fish market	●●●●●●●●●●
Restaurant	●●●●●●●●●●	Supermarket	●●●●●●●●●●
Fast food	●●●●●●●●●●	SPA	●●●●●●●●●●
Bar	●●●●●●●●●●	Medical	●●●●●●●●●●
Disco	●●●●●●●●●●	Industry	●●●●●●●●●●

### • Features & Plus

- Flat cube 7 gr
- Our vertical evaporator provides separated cubes
- External structure AISI 304 Scotch Brite
- Electromechanical functioning
- Air Cooling and Water Cooling systems
- Standard and special voltages
- Insulated retractable door
- ON-OFF switch
- Cleanable antiscaling filter
- External protective filter, removable, easy to clean
- Internal bin insulation HCFC free
- Conformity to RoHS directive
- Easy cleaning thanks to rounded surfaces
- Model in Tropical Class + 43 ° C
- Adjustable stainless steel feet

### • Available dice size



### • Prod. 24h

Air temp.	Water temp.	Prod. 24h kg
10° C	10° C	120
21° C	15° C	105
32° C	21° C	90

## 2 Years Warranty

subject to limitations

### • Certifications available for this model



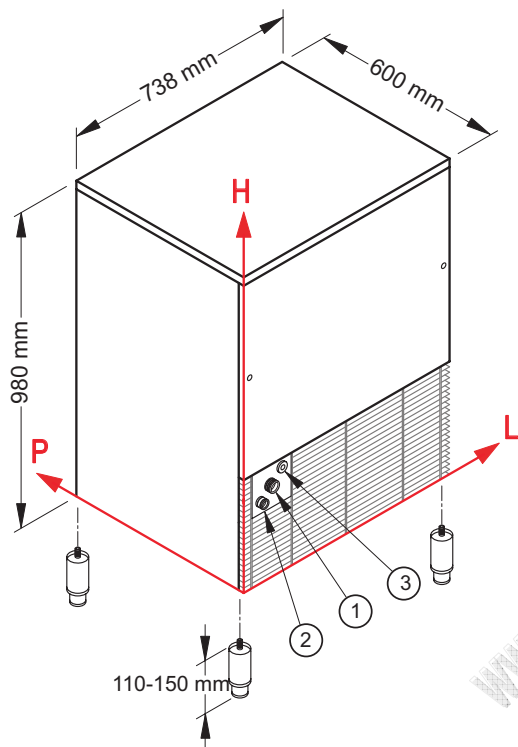
# CVC 230



## FROZEN RUN



Self-contained ice maker - Vertical evaporator system  
Daily production up to 120 kg



### ● Connections

All measures are referred to the rear bottom-left corner (L-H-Ø)

- ① Water inlet:  
116 mm - 245 mm - 3/4"
- ② Water outlet:  
54 mm - 200 mm - 24 mm
- ③ Electrical connection:  
161 mm - 281 mm

### ● Working conditions

- Location: Indoor

	Min	Max
Ambient temperature	+10° C	+43° C
Water temperature	+3° C	+32° C
Voltage	-10%	+10%
Water inlet pressure	1bar (14 psi)	6bar (84 psi)

### ● Technical information

Production in 24h	105 kg
Store capacity, up to	35 kg
Cooling system	A - W
Kind of cube	7 g
Refrigerant	R404A - R452A
Standard voltage	220-240 V ~ 50 Hz
Electrical consumption	850 W
Fuse	10 A
Water consumption	A: 2,5 l/kg W: 14,2 l/kg
Sizes (L-P-H mm)	738 - 600 - 980
Sizes with pack (L-P-H mm)	780 - 640 - 1140
Net weight	75 kg
Gross weight	85 kg
Finish	AISI 304 stainless steel, scotch brite

All the technical information must be considered at the following conditions:

Sizes without feet	Standard Cube (7 g)	Ambient temperature +21° C	Water temperature +15° C	Electrical consumption at +43° C (standard voltage)

Models and specifications are subject to change without notice  
Rev. 02 - Issued September 2019