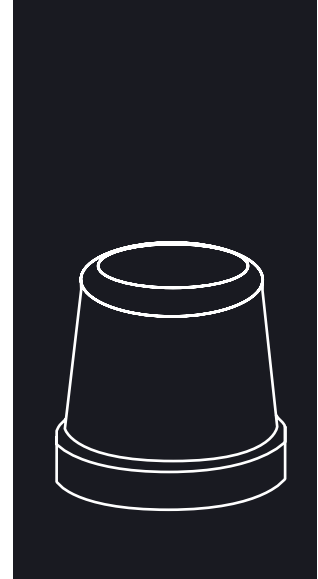


KITCHEN ICE

230 V / 50 Hz






DOMESTIC ICE MACHINE



FEATURES

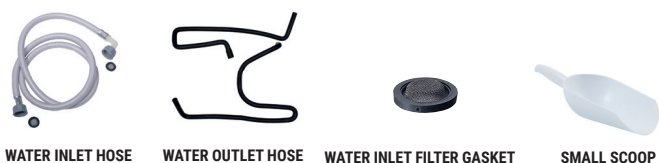
- ▶ PRODUCES PROFESSIONAL 22 GRS GOURMET CRYSTAL ICE CUBES
- ▶ DESIGNED FOR HOME APPLICATIONS
- ▶ AISI 304 STAINLESS STEEL BODYWORK
- ▶ DAILY ICE PRODUCTION 14 KG
- ▶ 12 ICE CUBES EVERY 35 MINUTES (NOMINAL CONDITIONS)
- ▶ 8 KG STOCK INSIDE
- ▶ DINAMIC ICE PRODUCTION: ICE MORE TRANSPARENT, NO SMELL & NO TASTE
- ▶ REDUCE CALCIUM CARBONATE PERCENTAGE
- ▶ DIMENSIONS TO BE BUILT IN STANDARD KITCHEN 60 CM WIDTH FURNITURE
- ▶ EASY FRONT & BACK VENTILATION
- ▶ A3S: ANTI-SCALE SPRAY SYSTEM. ITV PATENTED SPRAY SYSTEM WITH FLEXIBLE NOZZLES THAT AVOID LIMESCALE DEPOSITS WITH SMALL VIBRATIONS
- ▶ ON/OFF PROGRAMMABLE



KITCHEN ICE	 24 H	10°C		21°C		 STOCK (Kg)	 (mm)		 (mm)		
		(Kg)	(Kg)	(Kg)	(Kg)		Width	Depth			Height
		14	13	8	595	458	575	680	588	680	GALA 22gr 35 (Ø) x 35 mm (H) <small>*Average dimensions</small>

ACCESSORIES

INCLUDED



WATER INLET HOSE WATER OUTLET HOSE WATER INLET FILTER GASKET SMALL SCOOP

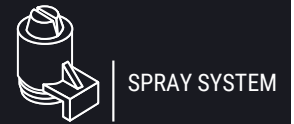
OPTIONAL (NOT INCLUDED)



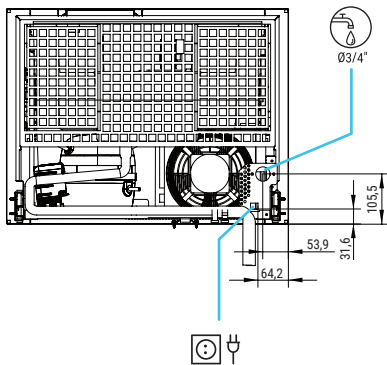
ANTI-LIMESCALE FILTER PARTICLE FILTER ANTI-CHLORINE FILTER ANTI-LIMESCALE + ANTI-CHLORINE FILTER CS101

TECHNICAL SCHEME

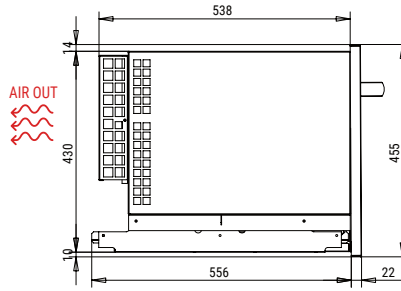
KITCHEN ICE



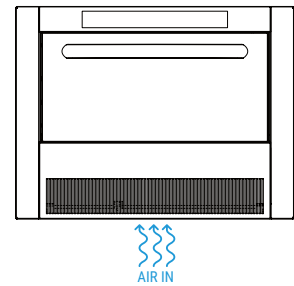
REAR VIEW



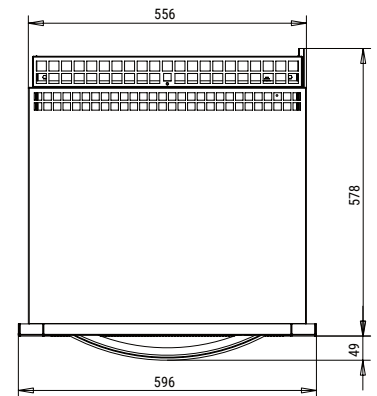
RIGHT SIDE VIEW



FRONTAL VIEW



FLOOR VIEW



* All measurements in mm.

OPERATING CONDITIONS

PRODUCTION 50Hz PRODUCCIÓN 50 Hz

- ±10% V
- 5°C/43°C
- 5°C/35°C
- 1 bar/6 bar
- WATER
- 12 Ice cubes/cycle

V	Hz	ph
230	50	1N

24 H

	KITCHEN ICE AIR COOLED			
	10° 50°	15° 60°	21° 70°	30° 86°
10°	15	14	13	11
50°	14	13	12	10
21°	11	10	10	9
68°	9	8	8	8
32°				
90°				
43°				
109°				

MODELS MODELOS

KITCHEN ICE

	+c° -c°	ASHRAE CONDITIONS (W) (BTu/h)	(W) 43°C	(n.) (mm²)	FUSE	100 Kg (Kwh)	(l/h)	HEAT REJECTED (W) (BTu/h)	(Kg)	(Kg) (m³)
KITCHEN ICE		423 1.444	212	3 1,5	10	31	3,4	327 1.115	40 46	0,27

2 YEARS WARRANTY

Subject to certain limitations and exclusions. Only spare parts.
Sujeto a limitaciones y exclusiones. Solo piezas de repuesto.

