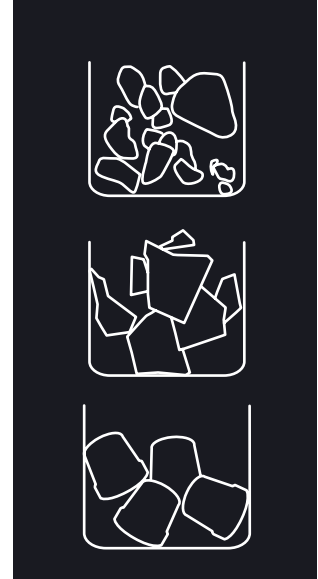


SILO S160

ICE BIN FOR MODULAR ICE MACHINES

FEATURES

- ▶ ICE BIN CAPACITY OF 181 KG
- ▶ AISI 304 STAINLESS STEEL BINS
- ▶ VERY HARD SANITARY POLYETHYLENE VAT, RESISTANT TO BLOWS, AND SCRATCHES
- ▶ EASY CLEANING DESIGN®: SEAMLESS ONE-PIECE VAT WITH ROUNDED CORNERS, AVOIDING POSSIBLE DIRTY POINTS AND FACILITATING CLEANING
- ▶ DRAINAGE SYSTEM THAT COLLECTS AND DRIVES THE WATER TO THE DRAIN KEEPING THE BIN CLEAN & DR



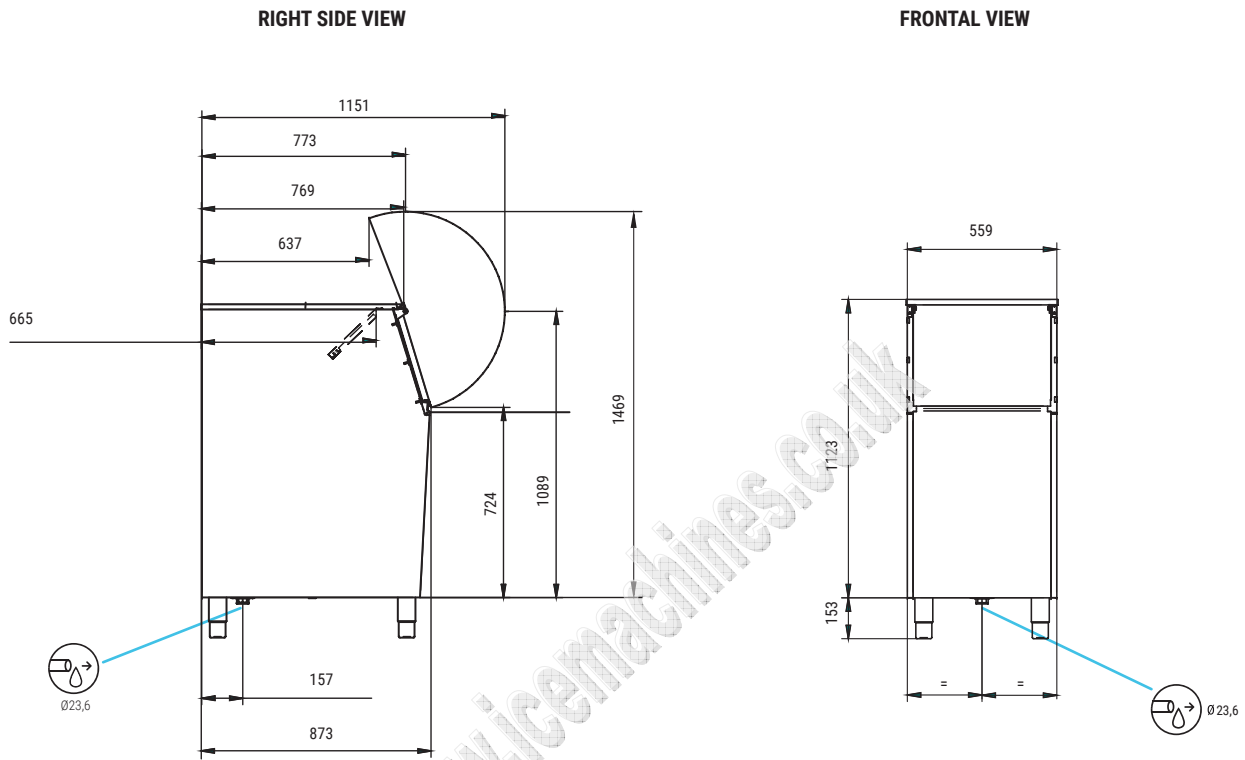
RECOMMENDED MACHINES

	MDP150/MR400/MP	SPIKA	QUASAR	ICE QUEEN	SCALA
  RECOMMENDED		 MS300 SLIM		 IQ150	 IQ200
  POSSIBLE (NOT OPTIMIZED)					

15%

TECHNICAL SCHEME

SILO S160



* All measurements in mm.

ACCESSORIES

INCLUDED



4 HEIGHT ADJUSTABLE LEG KIT



LARGE SCOOP



WATER OUTLET HOSE



DRAINAGE ELBOW



SILO S160

181

144,8

Width 559
Depth 872
Height* 1.122

54

Width 588
Depth 920
Height 1.250

70

0,68

*1.224 mm with legs